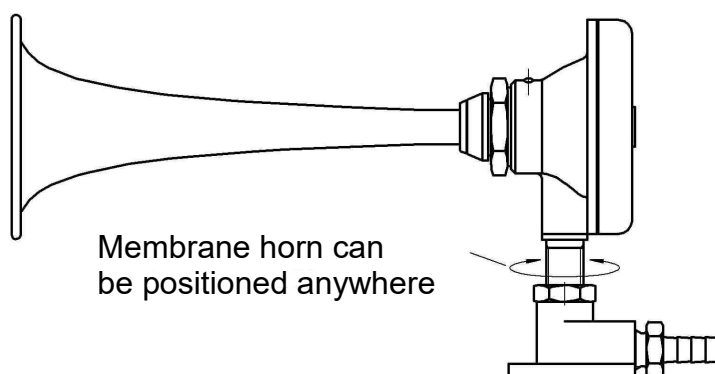
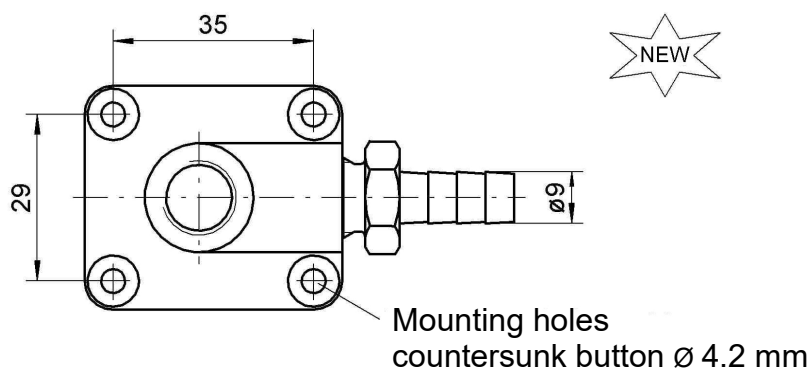




Bracket for diaphragm acoustic horn



Our newly developed anodised aluminium brackets make assembly much easier. The horns can be mounted from one side and fixed in any direction. The bracket can also be combined with the elbow connections Art. no. 2568.14. To reduce the installation height, the threaded sleeve can be shortened by 15 mm (avoid chips in membrane housing).