

Installation instructions & maintenance

MARTIN-HORN®
... das Original!

MARTIN-HORN® 2093, 2090 M and 2090 MH MH

Pauses & warning signals for stationary equipment or for other areas of application

» closed model without connection hose



DEUTSCHE SIGNAL-INSTRUMENTEN-FABRIK
Max B. Martin GmbH & Co. KG



INSTALLATION AND MAINTENANCE INSTRUCTIONS

1. Description

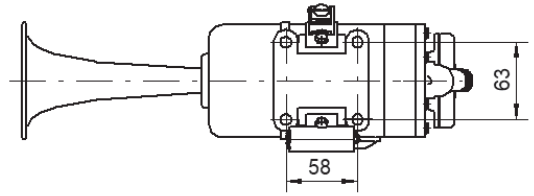
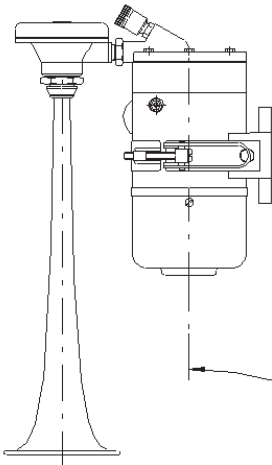
The MARTIN-HORN® should be mounted in a protected spot (protected from spray) and should not be subjected to temperatures which are too low. The oiler of the electric blower must not be tilted downward (see dimensional installation drawing).

To assemble, open the mounting base strap and then screw the base to the desired spot. The metal reinforcement plate can hereby be used as a drilling template. Then place the electric blower back into the base and close the fastening clasp.

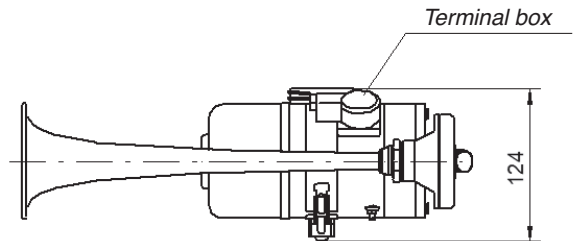
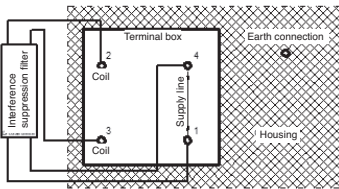
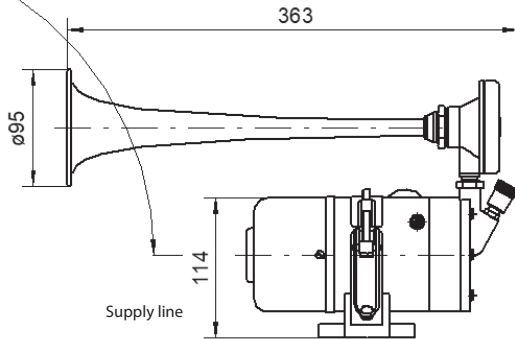
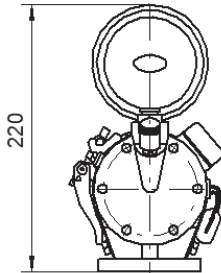
If the MARTIN-HORN® has to be installed outdoors, then a tin box with thermal insulation and air inlets must be affixed around the electric blower, which if necessary, i.e. for temperatures below 0° C, can also be heated electrically. Generally though, the two-part model of a MARTIN-HORN® (e.g. type 2090 GM, 2091 GM) is more suitable for installation outdoors, where the electric blower is installed in a protected room, and the acoustic horn outdoors.

The wick oilers of the electric blower should, if necessary, be filled with special oil (MARTIN-HORN® oil). The oil must be thin, resin-free and acid-free and must have a relatively low setting point (below -40°C). 1 small can of oil containing this special oil is supplied with every MARTIN-HORN®, it can also be reordered at any time. Never use normal machine or engine oil!

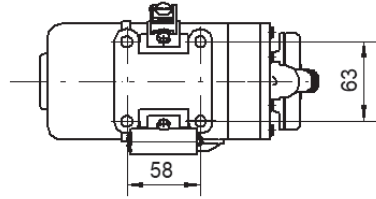
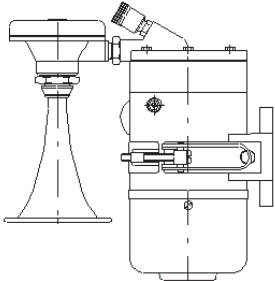
Dimensional installation drawing for MARTIN-HORN® 2090 M



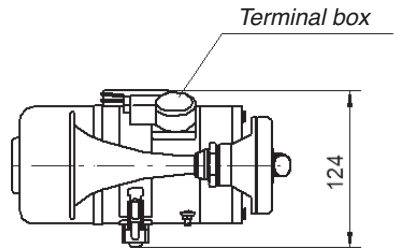
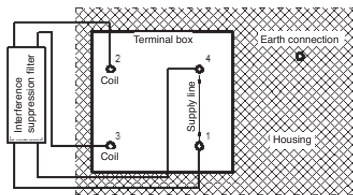
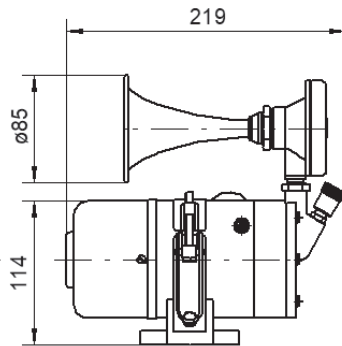
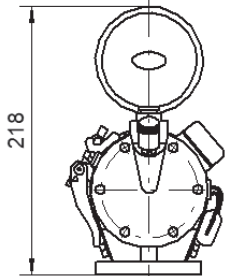
*Installation and attachment
between 0 and 90°*



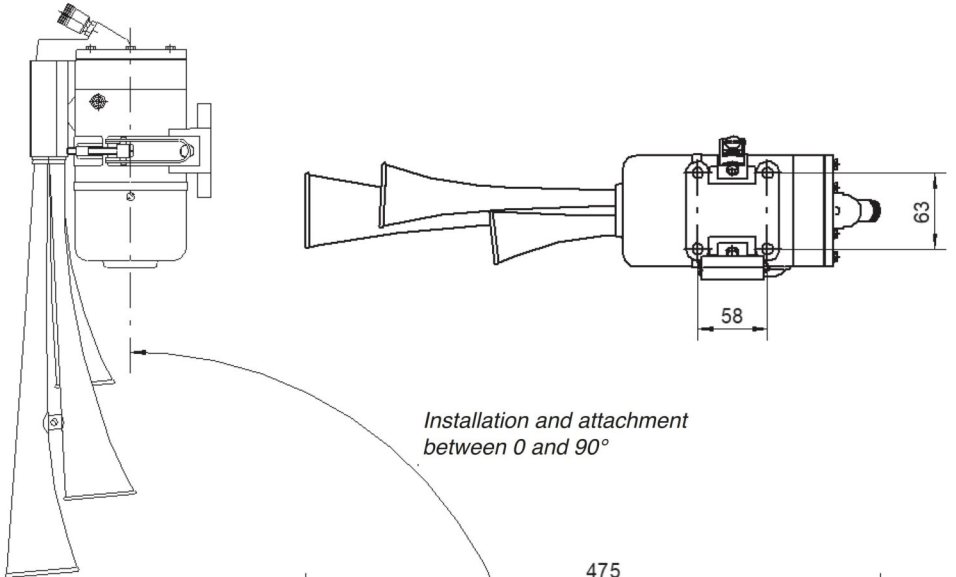
Dimensional installation drawing for MARTIN-HORN® 2090 M/H



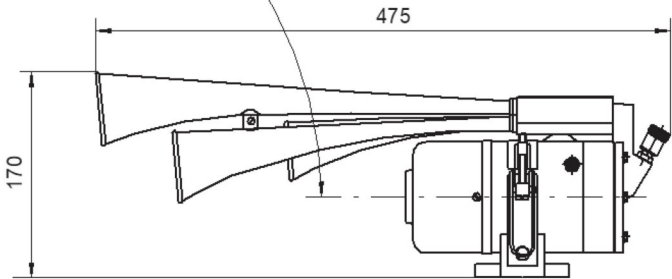
*Installation and attachment
between 0 and 90°*



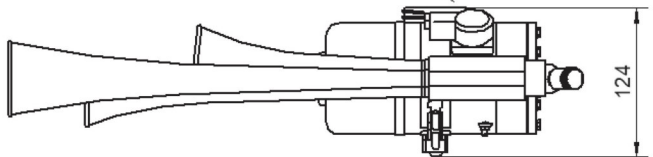
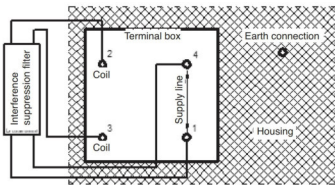
Dimensional installation drawing for MARTIN-HORN® 2093



*Installation and attachment
between 0 and 90°*



Terminal box



**DEUTSCHE SIGNAL-INSTRUMENTEN-FABRIK
Max B. Martin GmbH & Co. KG**

Albert-Schweitzer-Straße 2 · 76661 Philippsburg

Contact us at:

Phone: 07256 920-0

Telefax: 07256 8316

Email: info@maxbmartin.de

www.maxbmartin.de

